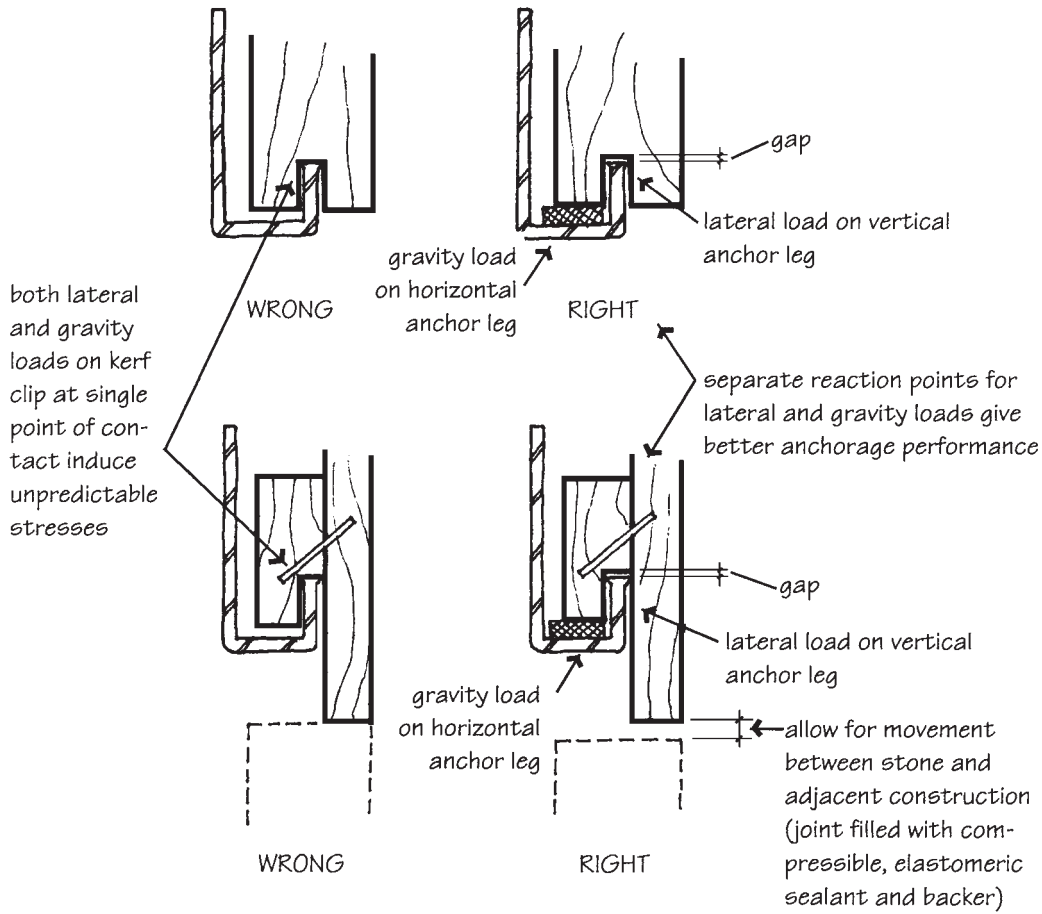


**Figure 10-49** Stone slab veneer details. (From *Masonry Institute of America, Masonry Veneer, MIA, Los Angeles, 1974.*)

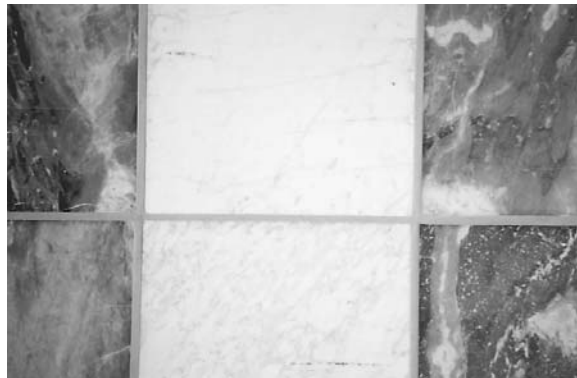
**10.7 PARAPETS**

*BIA Technical Notes* discourage the use of masonry parapets because they are so often the source of leaks. In fact, much of the water that gets into masonry walls enters at either the parapet or around the windows. A roof overhang is the best protection for the tops of masonry walls, but not all architectural styles lend themselves to such design.

Three problems are common with parapets—exposure, movement, and the roofing system interface. Exposure to the elements is more severe in parapets than in the walls beneath them. They are exposed to greater extremes of temperature in both winter and summer. In winter, snow collects on top of the parapet and drifts against the inside wall surface, keeping the masonry saturated throughout months of alternating freeze-thaw cycles. In a wind-driven rain, parapets get wet on both inside and outside surfaces and on all four building elevations regardless of wind direction, and wind pressure is highest at the top of the building (refer to Chapter 9). Some parapet movement is related directly to this exposure. Greater temperature variations cause greater thermal expansion and contraction, and higher moisture contents contribute to greater moisture movement. The winds that drive the



**Figure 10-50** Kerf anchorages for stone cladding. (From Lewis, *Modern Stone Cladding*, ASTM Manual 21, ASTM, Philadelphia, 1995.)



**Figure 10-51** Elastomeric sealants are used instead of mortar at the joints of stone cladding systems.